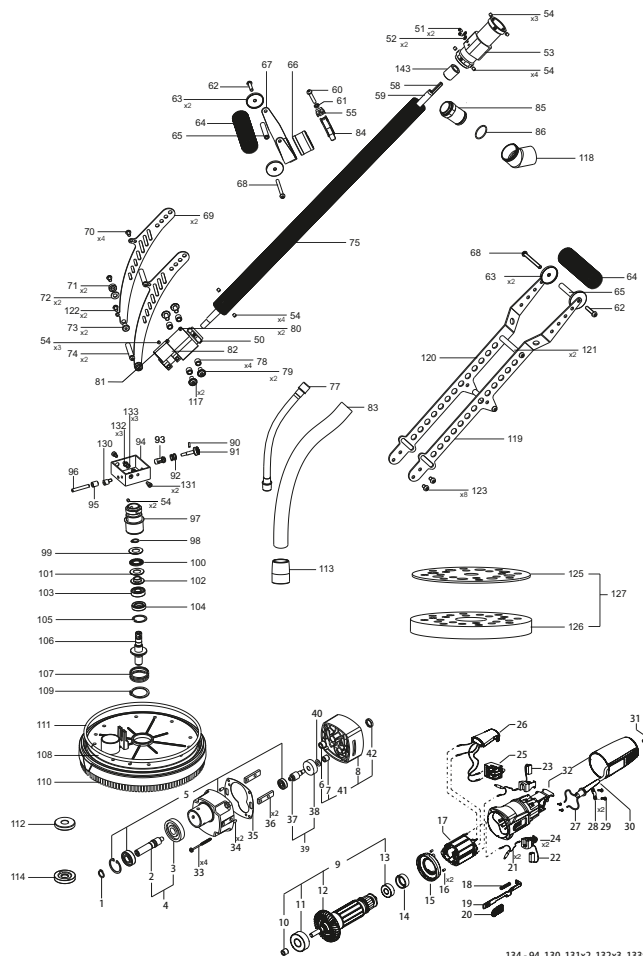


POS. No.	Ref.No.	Description
1	330483	Circlip B12
2	154845	Spindle
3	154846	Spindle gear
4	154856	Spindle set
5	154854	Gear box set
6	933756	Bearing HK0709
7	330119	Bearing HK0609
8	154844	Bearing shield
9	154862	Armature set
10	130784	Bush
11	330269	Bearing 629-2Z P63 LDS 18
12	152579	Fan
till 13.Jan.2013 -	13	330582 Bearing 6262ZP6E LDS18 SKF
13	331509	Bearing 626 2RSL
14	129087	Elastic sleeve
15	152756	Diffuser
16	272960	Claming pin
17	120831	Stator set
18	131214	Pressure spring 0,5xE4x25
19	152758	Guiding switch lever
20	170117	Slide
21	151196	Choke
22	129092	Brush
23	129093	Brush with a switch
till 16.Mar.2014 -	24	129082 Brush holder set
24	142187	Brush holder set
25	102100	Switch PS8
till 29.Jun.2011 -	25	153548 Switch APB-2114 Defond
26	179299	Electronic block
27	169564	Cord with a plug
28	256500	Cord clamp
29	361360	Screw K 4X9.5 TORX 20
30	152759	Cord protector
31	361328	Screw K4x18 TORX 20
32	152770	Body with cover
33	361404	Screw K4X50 TORX 20
34	115865	Pin
35	154851	Gasket
36	154852	Plate
37	154847	Gear shaft
38	154848	Large intermediate gear
39	154849	Gear shaft complement
40	154850	Washer
41	154855	Bearing shield set
42	330641	Gasket 12x16x3
50	155254	Console
51	361280	Screw M 4x6
52	361277	Washer 1-M4
53	179620	Adaptor
54	361273	Screw M6X6 DIN 913
55	151272	Strip
58	179631	Shaft
59	179627	INNER PROTECTIVE PIPE SET
60	361288	Screw M 6x30 ISO7380
61	179649	Washer
62	361288	Screw M 6x30 ISO7380
63	179613	Stopple
64	179611	Pipe
65	179614	Bush
66	179645	Bush
67	179647	Handle set
68	361269	Screw M 6x60 ISO7380
69	156569	Support
70	361271	Screw M 6x16 ISO7380
71	179609	Spacer washer
72	179610	Washer
73	361267	Special nut M6
74	179614	Bush
75	155987	Pipe L645
77	179630	OUTER PROTECTIVE PIPE SET
78	155246	Space bush
79	361320	Screw M 8x20 FABORY 07141080025
80	361291	Screw C1-M4x30
81	361294	Screw C1-M4x35
82	155255	Adaptor
83	155293	Hose L400
84	179674	Lever set
85	179658	Adaptor
86	330330	O-ring 31X2B
90	361136	Pin Φ3x8 DIN7343
91	179644	Lock button
92	115165	Spring
93	179642	Bearing Bushing
94	155287	Console
95	179625	Space bush
96	361265	Screw M6X42 DIN 427
97	179652	Enclosure
98	330483	Circlip B12
99	331319	Washer AS1528
100	331318	Bearing AXK 1528
101	331319	Washer AS1528

POS. No.	Ref.No.	Description
102	179641	Space bush
103	330820	Bearing 2RSR
104	330608	Gasket AS15x28x7 NBR
105	330588	Circlip A28
106	155258	Spindle
107	179628	Spring
108	155285	Protective cover Φ220
109	330486	Circlip B35
110	155294	Brush
111	155295	Gasket
112	155296	Collar
113	156570	Bush
114	121838	Locking nut
117	361319	Screw M 8x20 FABORY 07141080020
		M Zn A3A
118	184121	Dust Extraction Adaptor
119	155985	Holder
120	155983	Holder
121	179667	Bush
122	361323	Screw M 6x8 ISO7380
123	361272	Screw M 6x10 ISO7380
125	155259	Disk
126	155297	Disk
127	155992	Disks set 225mm
130	141966	Depth gauge
131	361350	Screw C1-M5x8
132	360078	Spring washer 5H
133	361353	Nut M5 ISO 10511 Zn
134	159541	Service pack
143	158462	Bush
133	361353	Nut M5 ISO 10511 Zn
134	159541	Service pack
143	158462	Bush



134 - 94, 130, 131x2, 132x3, 133x3